

MultiTox

Flexible configuration
Reduced maintenance
High temperature operation

DM-TT6 Solid-State (MOS) Gas Detector

The MultiTox DM-TT6 intelligent solid-state (MOS) gas detector can be used to detect a wide range of gases, including hydrogen sulphide (H₂S). The device has been designed for ease of operation and maintenance in hot and dry environments.

The DM-TT6 is a solid-state metal oxide semiconductor (MOS) gas detector used mainly for the detection of hydrogen sulphide in arid locations having air present. The DM-TT6 can also be configured for other gases, such as refrigerants (e.g. R22).

The unit employs a robust sensing element that needs recalibration just once a year. In addition the device does not need a high gas concentration dose to reactive the active sensing material.

The intelligent, microprocessor driven unit is fully configurable using a wireless handheld terminal (TLU) giving true flexibility to the installer. Elements such as relay operation and alarm levels are all set via the TLU, hazardous area approved handheld unit.

The device offers a wide range of output options as standard and is suitable for use in SIL 2 applications. The unit may be interfaced directly with a wide range of panels, controllers and PLC's etc.

The may be used in refineries, offshore drilling and production platforms, processing and storage plants as well as chemical plants.

Features

Recalibration just once a year

Non-consumptive technology

Resistant to high gas concentrations

Wireless, non intrusive testing by as single technician

Hand held maintenance terminal

"No-touch" field cabling

Wide range of detector outputs

Benefits

Reduced maintenance & service costs

Long service life

Suitable for extreme conditions

Reduced service costs

End to end loop testing

Detector can be replaced without disassembling the cable glands

Local visual indicators, relays & 4-20mA output are available as standard



Wireless (IR)
Handheld Terminal

Technical Data

GENERAL

Technology	Solid-state Metal Oxide Semiconductor
Detects	Hydrogen Sulphide others gas available on request
Range	0 - 50 ppm H ₂ S 0 - 100 ppm H ₂ S 0 - 200 ppm H ₂ S

PERFORMANCE

Response time	T50 < 30 s T90 < 120 s
Accuracy	+/- 10% of calibrated range
Sensor life	Better than 5 years
MTBF	67,500 hours

OUTPUT SIGNAL

Standard	4-20mA, max. load impedance 700Ω (Std.) [600Ω with optional LCD display] 2 x configurable Relays max 1A / 30V
option	0-22mA (Option for PLC's)
option	Lonworks (Syntel)

ELECTRICAL

Power supply	24V DC, range (18 - 32V DC)
Power consumption	65 mA normal
Connection	0.3 mm ² (22 AWG) - 1.5 mm ² (12 AWG) Shielded cable recommended.

ENVIRONMENTAL

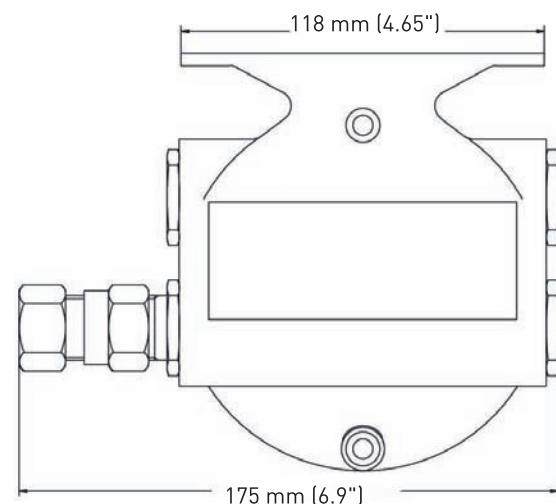
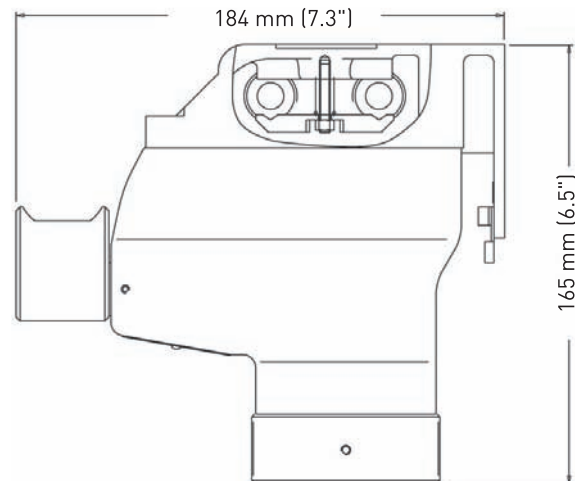
Storage	-40°C to +70°C
Operation	-20°C to +60°C
Humidity	0 to 95% RH (non-condensing)
Pressure	Atmospheric pressure +/- 10%
Ingress	IP66
RFI/EMI	Complies with EN50081-1, EN50081-2, EN50082-1 and EN50082-2.

HOUSING

Material	Epoxy coated aluminium (standard) 316 L stainless steel (option)
Weight	1.8 Kg (4 Lbs) Aluminium 6.5 kg (14.3 Lbs) Stainless steel

APPROVALS

ATEX	ATEX II 2 G Ex d II C T6
Certificate number	LCIE03ATEX6263
IECEX	IECEX LCI09.0018



ACCESSORIES

- TLU600 Wireless Configuration Tool
- Sun shade
- Calibration cup
- Sample flow housing
- Splash guard
- Calibration kit
- LCD Display

OTHER PRODUCTS

- DM-TX6 Intelligent Catalytic Gas Detector
- DMI-TT6 Intelligent Toxic (EC Cell) Detector
- DMI-TO6 Intelligent Oxygen Depletion Detector