

# MultiSafe-MX

Addressable modules and software

Large range of I/O  
Repeater panel  
Customer specific interface



The MultiSafe-MX offers a large choice of configurations and suits the requirements of many industrial sites.

## Flexibility

The MultiSafe-MX interfaces with devices using either conventional and/or addressable module inputs and outputs. These modules are used to tailor the system to customer requirements.

## Safety

The MultiSafe-MX panel can be used to produce SIL2 and SIL3 compliant systems.

## Features

Large choice of cards and modules

Redundant CPU

Dependable power supplies

Interface conforms to standards

Cards interconnected on redundant bus

## Benefits

Flexible configurations (conventional, addressable, bus)

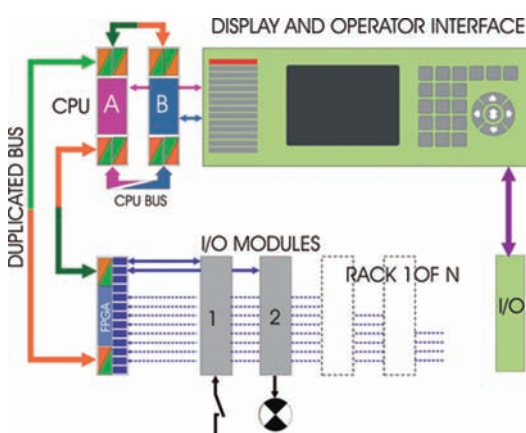
SIL2 or SIL3 safety level

Conformity to EN 54-4

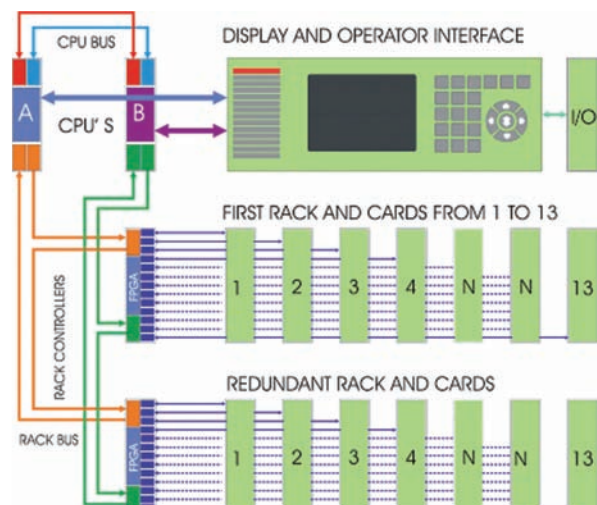
Conformity to EN 54-2

Improved system reliability and availability

CONFIGURATION SIL2



CONFIGURATION SIL3

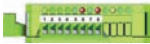


## Addressable modules SSP BUS (gas detection, manual alarms, commands)



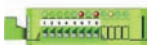
### MOD-AI020 - ADDRESSABLE MODULE FOR ANALOGUE INPUT CONTROL

4-20 mA analogue input with 24V CC 500mA output for detector power supply



### MOD-AV010 - ADDRESSABLE MODULE FOR ANALOGUE INPUT CONTROL

0-10 V dc analogue input with 24V CC 500mA for detector power supply



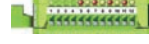
### MOD-DI - 8 INPUT ADDRESSABLE MODULE

Up to 8 non-monitored digital inputs  
Used on an SSP-type BUS for the supervision of voltage-free contacts



### MOD-AIT - ADDRESSABLE MODULE FOR INTRUDER ALARM CONTROL

Module conforms to CEI 79-2  
Receives signals from intruder detectors  
4 x 12 V dc passive or active devices



### MOD-DO - ADDRESSABLE CONTROL MODULE OF 8 OPEN COLLECTOR OUTPUTS

Controls up to 8 non-monitored open collector outputs  
Suitable for loads up to 300 mA per output, on an SSP-type bus



### MOD-DISP - LOCAL DISPLAY

255 configurable messages  
Warning LEDs (alarms and faults)  
Buzzer with acknowledge key

## Supervision IRIDE



### IRIDE

Supervision software enables site specific software

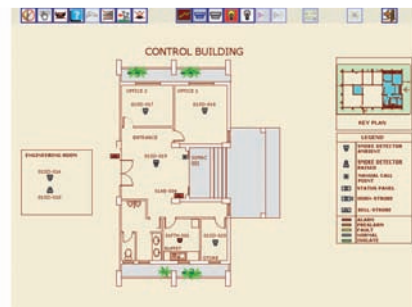


### IRIDE VIDEO

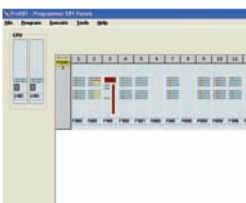
Supervision software allows video and graphical animations on a site-wide interface

### EXAMPLE OF APPLICATION

Detectors location visualised  
Client specific interface



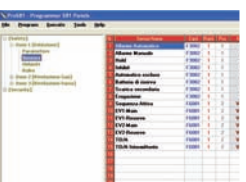
## Configuration tool PRO-MSMX



### PRO-MSMX

Control panel configuration software

- Configuration of detectors
- Configuration of I/O modules
- Configuration of the panel logic functions



The software allows easy configuration of all detectors

- Type
- Range
- Alarm threshold
- etc....

### EXAMPLE OF CONFIGURATION SCREEN

User friendly interface  
Archive and recovery functions

